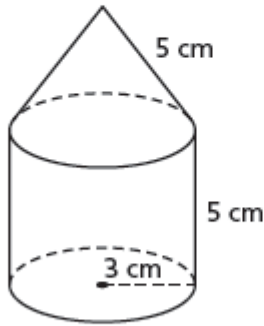


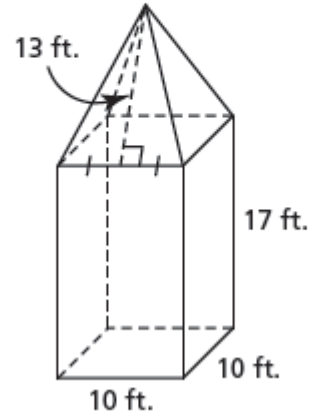
# GMF 10 – Finding the Surface Area of Composite Objects

#1, Determine the surface area of each composite object to the nearest square unit.

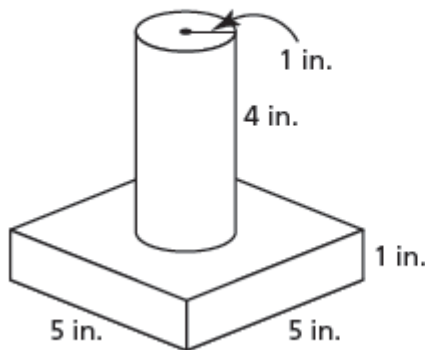
a) right cylinder and right cone



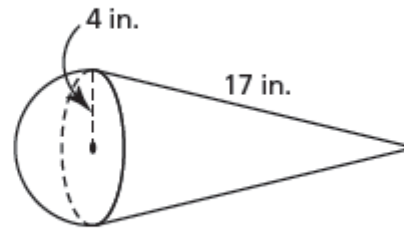
b) right square prism and right square pyramid



c) right square prism and right cylinder



d) right cone and hemisphere

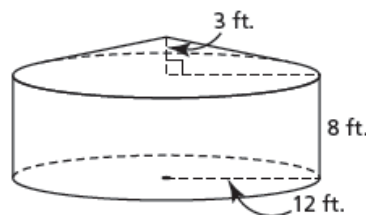
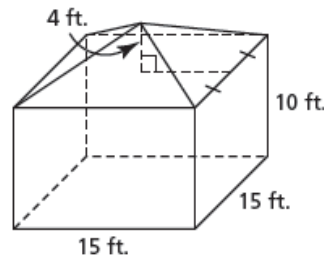


**Solutions...**

#1. a)  $170 \text{ cm}^2$       b)  $1040 \text{ ft.}^2$   
 c)  $95 \text{ in.}^2$         d)  $314 \text{ in.}^2$

#2. Here are two different grain storage bins.

Each storage bin has a cement base.  
 The materials for the walls and roof of the square-based bin cost \$10.49 per square foot.  
 The materials for the walls and roof of the circular-based bin cost \$9.25 per square foot.  
 Which bin is cheaper to build? Justify your answer.



**Solution...**

#2.                      Square-based bin