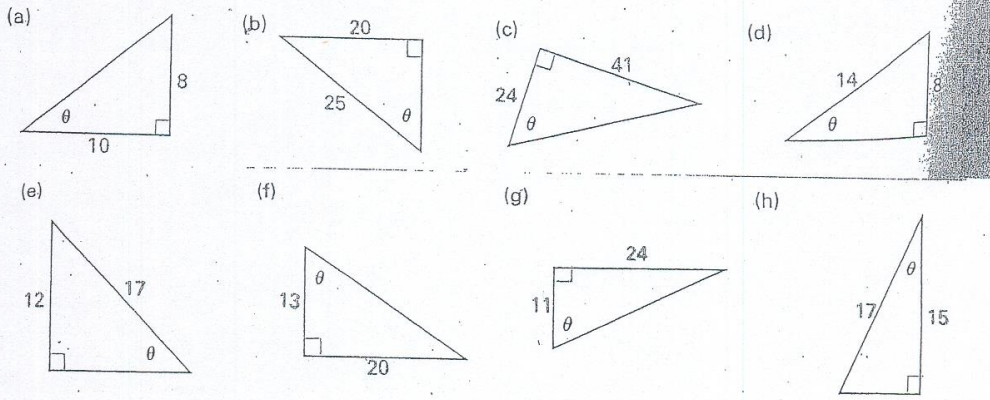
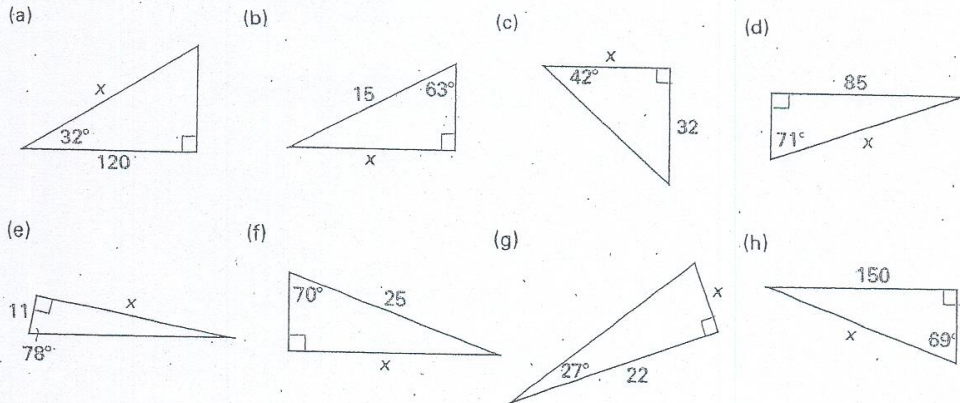


Primary Trig Ratios

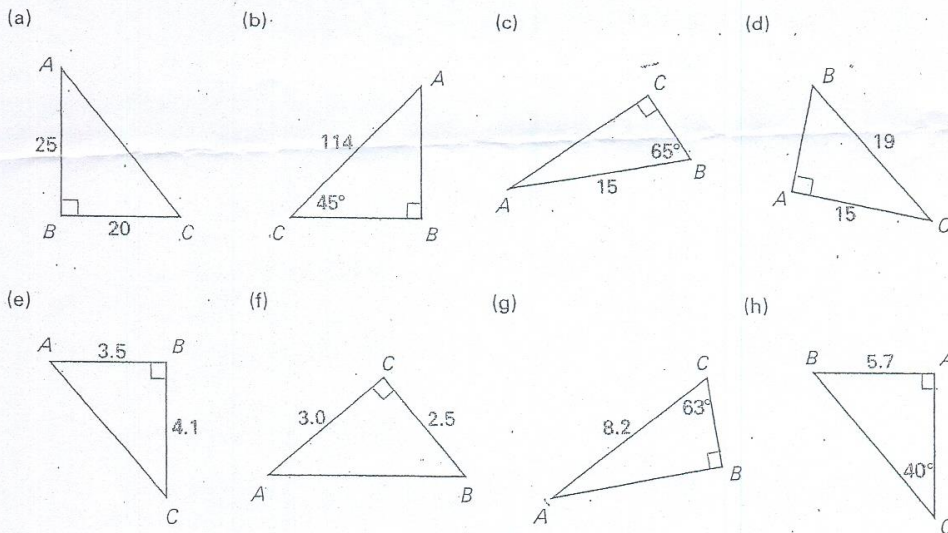
B 1. Find the measure of the indicated angle.



2. Find the length of the indicated side.



3. Solve the following triangles.



1. (a) 39° (b) 53° (c) 60° (d) 35° (e) 45° (f) 57° (g) 65° (h) 28°
 2. (a) 142 (b) 13.4 (c) 35.5 (d) 89.9 (e) 51.8 (f) 23.5 (g) 11.2 (h) 161
 3. (a) $\angle A = 39^\circ$; $\angle C = 51^\circ$, $b = 32$ (b) $\angle A = 45^\circ$, $a = 80.6$, $c = 80.6$ (c) $\angle A = 25^\circ$, $a = 6.34$, $b = 13.6$
 (d) $\angle B = 52^\circ$, $\angle C = 38^\circ$, $c = 11.7$ (e) $b = 5.39$, $\angle A = 50^\circ$, $\angle C = 40^\circ$ (f) $c = 3.91$, $\angle A = 40^\circ$, $\angle B = 50^\circ$